

BrightBox 24

PRODUCT DATA SHEET



Features

- **Available**– with 24V or 120V and in either AC or DC control coil voltage so you can control the contactors with just about any photo sensor, timer, or building automation controller you can find.
- **Relay**– control circuits allow for configurable control of 24 contactors across six channels/zones.
- **The contactors**– are rated at 15 million cycles for long life expectancy.
- **Normally**– closed contactors allow a fail on scenario so you won't be in the dark in the event of a failure.
- **Easy to install**– in retrofit applications using existing circuit protection.
- **Available**– with optional local override switch.
- **Easily**– integrates with the Clarity line of products from FSG Smart Buildings.

Summary

The BrightBox 24 offers a complete single enclosure solution that enables contactors the ability to control up to 24 circuits of lighting or general purpose electrical load with virtually any sensor input or control voltage. The pre-mounted and pre-wired contactors and control circuits offer a labor saving solution that requires minimum on-site wiring. The BrightBox solution offers a simple and cost effective way to extend existing lighting control systems, or to implement a new one.

Applications

The BrightBox 24 is a flexible, hardened control panel assembly ready to go for applications such as:

Lighting

- Interior and Exterior lighting
- Signs and Recreational lighting

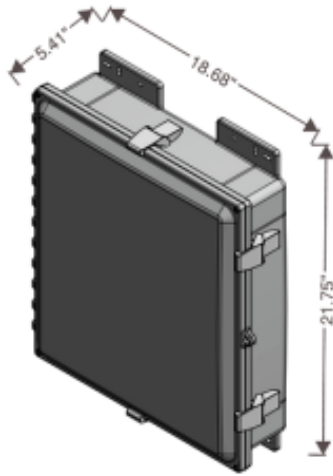
Electric Heaters

- Baseboard heaters
- Infrared heaters
- Concrete Pad Heaters

General Purpose Load

- Receptacles and outlets
- Kitchen Equipment
- Exhaust Fans

Specifications



Capacity

Number of Poles	24 Normally Closed
Relay Load Rating	30A Ballast @600VAC
	20A Tungsten @ 277VAC
Coil Rating	Electrically held contactor
Electrical Connection	Screw Clamp Terminals 14- 10 AWG

Control

Control Circuit	6 Channel Relay Control Circuit
	1 Channel Manual Override
Control Circuit Voltage	Standard 24VAC/24VDC
	Optional 120VAC/120VDC
Electrical Connection	Push in Connection Terminal Block
	22-12 AWG

Dimensions

Height	21.75"
Width	18.68"
Depth	5.41"
Weight	71 Pounds

Details

Enclosure Type	NEMA 1/3R/4/4X/12
Enclosure Material	Polycarbonate with UV Inhibitors
Mounting	Standard Surface Mount
	Optional Pole Mount
Warranty	1 year
Certifications	UL508A